



### THE RIGHT CHOICE

We thank you for your purchase. Our products are 100% tested but should you have any questions, please contact us by phone or at our web site.

MODEL SS-3804 Shown



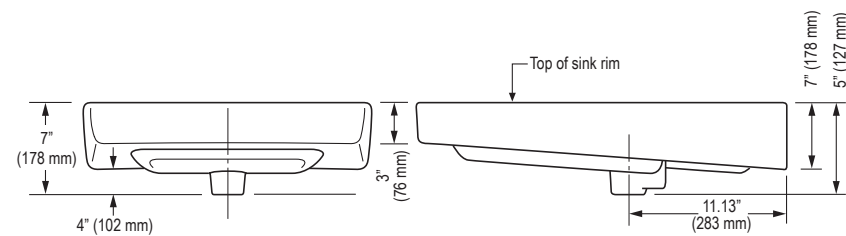
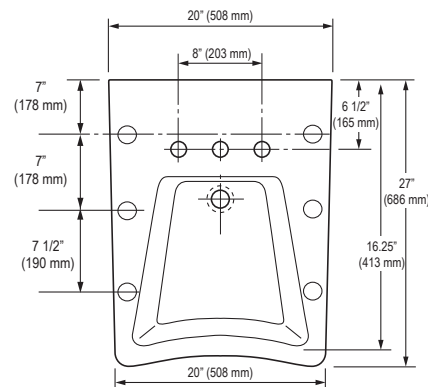
**⚠ WARNING:** Any vitreous china can chip or break if the bolts or nuts are over-tightened or if mishandled.

- Check all local plumbing and building codes.
- Check for any damage to the new lavatory sink before installation.

### WHAT YOU WILL NEED...

- Putty knife
- Safety glasses
- Measuring tape
- Basin wrench
- Tube cutter
- Hacksaw
- Channel lock pliers
- Wall carrier (not included) compatible with: Jay R. Smith-0700-27-M31 series lavatory carrier or equal. Josam-17100-67 series lavatory carrier or equal. Watts TCA-411-WC or WCA-411-WC concealed arm 27 x 20 "track" carrier or equal. Watts WCA-411 carrier with concealed arms or equal.
- 10" adjustable
- Phillips screwdriver
- Flathead screwdriver
- Drill
- Plumbers putty
- Silicone sealant

SS-3804



Important: Fixture dimensions are nominal and may vary slightly from drawings



TO MAXIMIZE THE PERFORMANCE OF YOUR SLOAN® LAVATORY, USE ONLY SLOAN® FAUCETS

### RETROFIT INSTALLATIONS

#### 1. REMOVE EXISTING LAVATORY

- Turn off the water supply.
- Disconnect the supply lines and waste pipes.
- Remove the existing lavatory.
- Scrape any old putty or sealant from wall surface.
- Remove old wall bracket and discard.
- Adequate structural support in or behind the wall is required to withstand the weight of the lavatory when filled with water.

#### 2. CLEAN DRAIN

- Clean out waste pipe using hand or power cleaner to be sure pipe is clear.
- Proceed to NEW INSTALLATIONS.

### NEW INSTALLATIONS

#### 1. PRIOR TO NEW INSTALLATION

- Determine appropriate wall location for the lavatory. Consider that hot and cold water supply lines with supply stops or a tempered water supply line with supply stop and a drain line will be required. A 120V electrical source (receptacle) may also be required. Compare the physical dimensions of the lavatory to the space available for the installation.

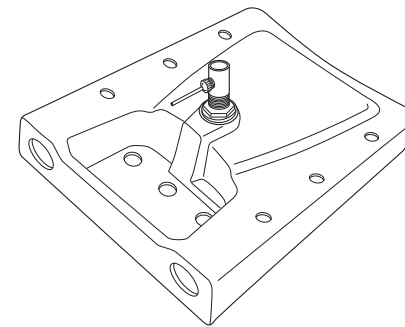
#### 2. UNPACK AND INSPECT LAVATORY

- Carefully remove sink from its protective carton so as not to damage porcelain finish. Check for any damage to lavatory before proceeding with the installation.
- Examine the carton for additional parts before discarding packaging.

#### 3. INSTALL DRAIN POP-UP AND FAUCET

- Install the faucet and drain assembly (not included). Follow faucet manufacturers instructions.

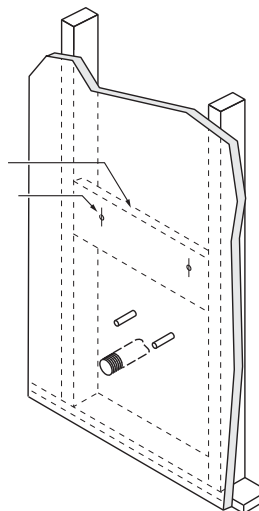
**⚠ CAUTION!** Do not overtighten the bolts. Breakage and chipping of vitreous china can occur.



#### 4. INSTALL NEW WALL CARRIER (NOT INCLUDED)

- Determine the desired height to the top of lavatory sink rim. Mark level line on wall. This line is centerline of holes for wall carrier mounting holes.
- Mark and drill holes in wall for mounting lavatory.

Reinforced wall framing  
Holes for wall carrier

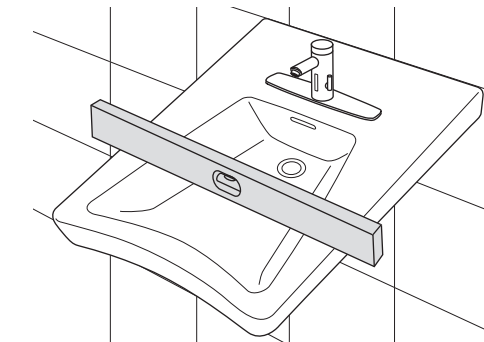


**⚠ Note:** Adequate reinforced wall framing is required behind the wall for proper wall carrier support. Use of wall anchors or toggle bolts is not recommended. For concrete walls a properly sized wall anchor can be used.

- Mount and level wall carrier using screws and washers (not included).

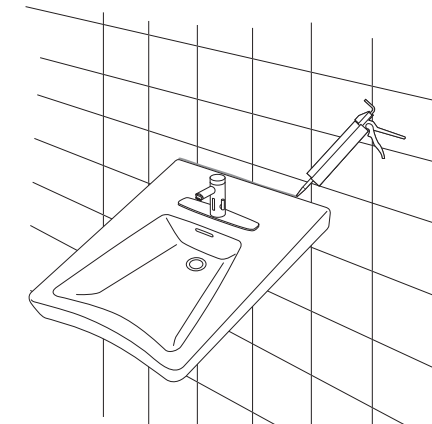
#### 5. INSTALL LAVATORY ON WALL CARRIER

Note: Check if lavatory is level. If not level, remove lavatory and adjust wall carrier as needed.



### COMPLETING THE INSTALLATION

- Connect all supply lines and waste pipes.
- Turn on water. Check to see that the faucet and drain are operating properly and there are no leaks.
- Record lavatory model number for reference.
- Caulk around lavatory perimeter where lavatory meets the wall.



### CARE AND CLEANING OF VITREOUS CHINA

Clean lavatory with a cleaner safe for vitreous china. Spray and wipe clean using soft cloth. Soft abrasive cleaners may be used to remove stains.

### LIMITED WARRANTY

Sloan Valve Company warrants its products to be made of first class materials, free from defects of material or workmanship under normal use and to perform the service for which they are intended in a thoroughly reliable and efficient manner when properly installed and serviced, for a period of three years from date of purchase. During this period, Sloan Valve Company will, at its option, repair or replace any part or parts which prove to be thus defective if returned to Sloan Valve Company, at customer's cost, and this shall be the sole remedy available under this warranty. No claims will be allowed for labor, transportation or other incidental costs. This warranty extends only to persons or organizations who purchase Sloan Valve Company's products directly from Sloan Valve Company for purpose of resale.

**THERE ARE NO WARRANTIES WHICH EXTEND BEYOND THE DESCRIPTION ON THE FACE HEREOF. IN NO EVENT IS SLOAN VALVE COMPANY RESPONSIBLE FOR ANY CONSEQUENTIAL DAMAGES OF ANY MEASURE WHATSOEVER.**

**NOTE: IN NO EVENT SHALL THE SLOAN VALVE COMPANY BE LIABLE FOR INCIDENTAL DAMAGES, RESULTING FROM IMPROPER INSTALLATION, OR FOR DAMAGES CAUSED BY NEGLIGENCE, ABUSE OR ALTERATION.**

Wall Carrier rough-in information to be provided by wall carrier manufacturer. Carrier and hardware not included with fixture. The information contained in this document is subject to change without notice.

**SLOAN.**

SLOAN VALVE COMPANY

10500 Seymour Avenue  
Franklin Park, IL 60131  
Phone: 1-800-9-VALVE-9 (982-5839)  
or 1-847-671-4300  
Fax: 1-800-447-8329 or 1-847-671-4380  
www.sloanvalve.com

Copyright © 2010 Sloan Valve Company  
Code No. 0816414 Rev. 0b (02/10)