

AMERICANSPECIALTIES, INC.

441 Saw Mill River Road, Yonkers, NY 10701 (914) 476-9000

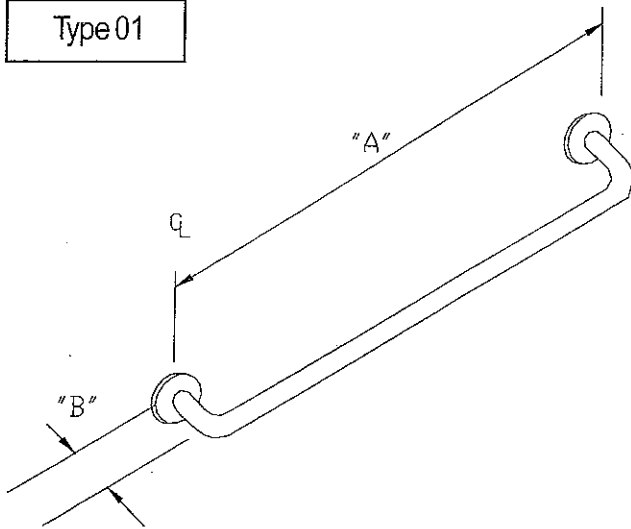
PAGE: 1 of 8

ISSUED:

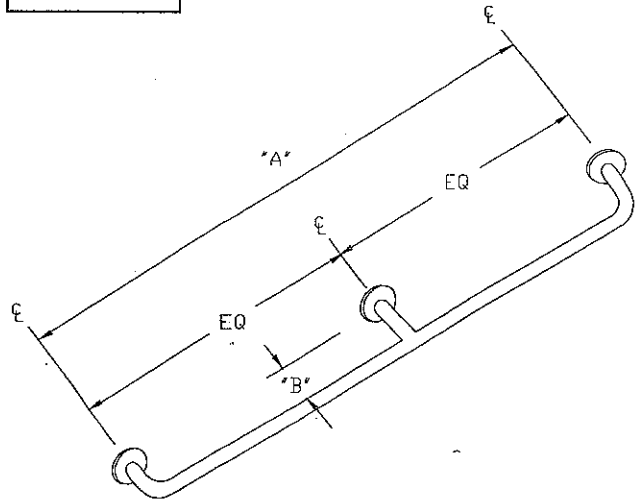
REVISED: 9-96

GRAB BAR CONFIGURATIONS

Type 01



Type 02



SCHEDULE

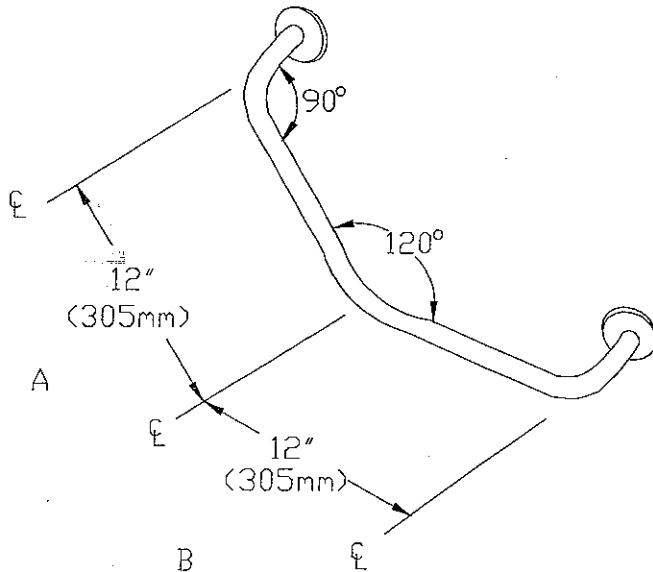
QTY	A	B	QTY	A	B
	12"	1-1/2"		30"	1-1/2"
	305mm	38mm		762mm	38mm
	16"	1-1/2"		36"	1-1/2"
	406mm	38mm		914mm	38mm
	18"	1-1/2"		42"	1-1/2"
	457mm	38mm		1067mm	38mm
	24"	1-1/2"		48"	1-1/2"
	610mm	38mm		1219mm	38mm

SCHEDULE

QTY	A	B
	48"	1-1/2"
	1219mm	38mm
	52"	1-1/2"
	1321mm	38mm
	54"	1-1/2"
	1372mm	38mm
	60"	1-1/2"
	1524mm	38mm

Type 03

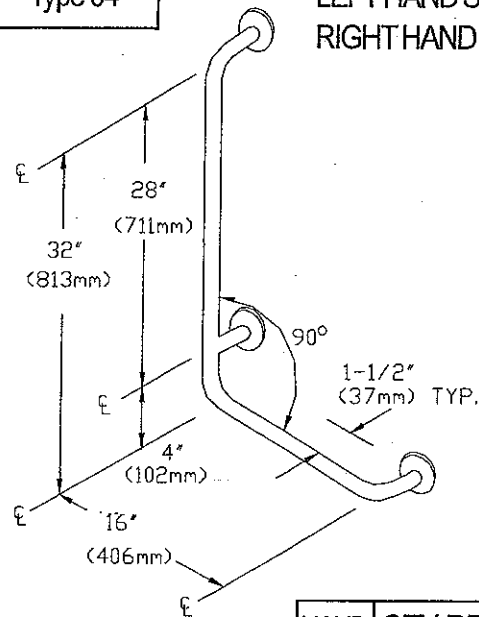
Grab bar is to be handed if dimensions A & B differ



LEFT HAND SHOWN, RIGHT HAND OPPOSITE

Type 04

LEFT HAND SHOWN
RIGHT HAND OPPOSITE



HAND	QTY. REQ'D.
L.H.	
R.H.	

MODEL NO MUST SPECIFY -LH OR -RH



AMERICANSPECIALTIES, INC.

441 Saw Mill River Road, Yonkers, NY 10701 (914) 476-9000

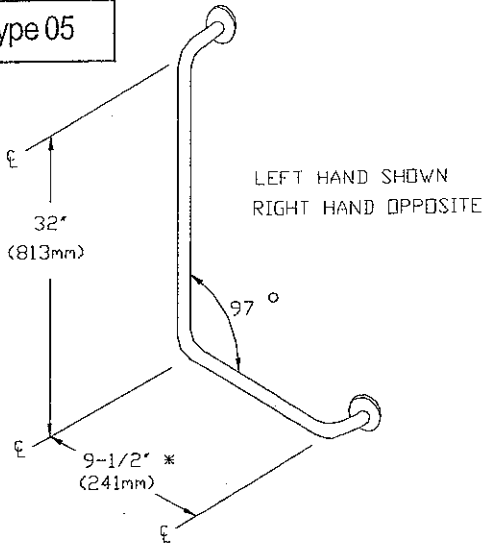
PAGE: 2 of 8

ISSUED:

REVISED: 9-96

GRAB BAR CONFIGURATIONS

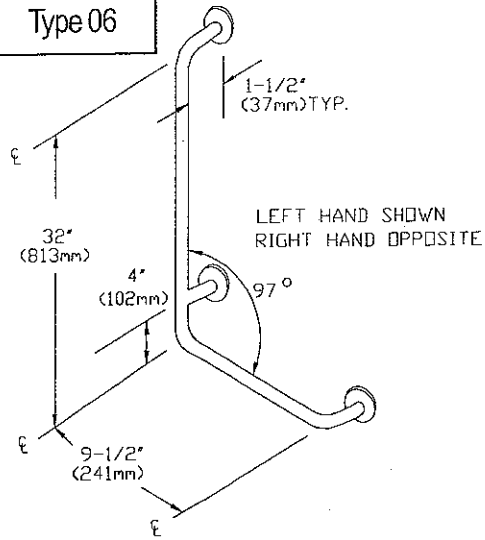
Type 05



*FOR 1-1/2" O.D. GRAB BARS
THIS DIMENSION IS 11" (279mm)

HAND	QTY. REQ'D.
L.H.	
R.H.	

Type 06



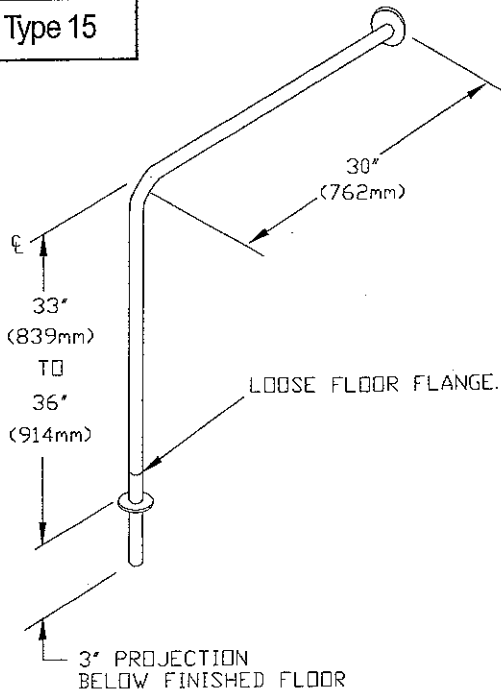
*FOR 1-1/2" O.D. GRAB BARS
THIS DIMENSION IS 11" (279mm)

HAND	QTY. REQ'D.
L.H.	
R.H.	

MODEL NO MUST SPECIFY -LH OR -RH

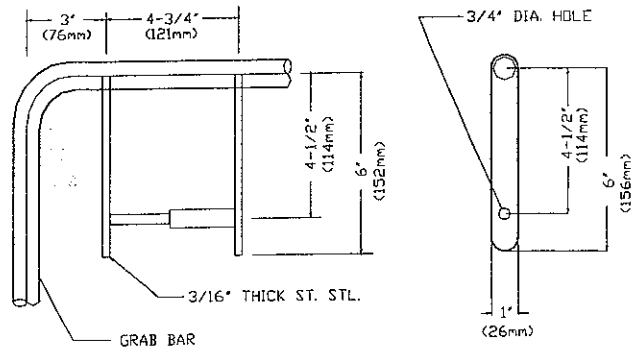
MODEL NO MUST SPECIFY -LH OR -RH

Type 15



Contractor to provide proper sleeve in floor x 3" long
to accept bar O.D. specified.

Option 25





AMERICAN SPECIALTIES, INC.
 441 Saw Mill River Road, Yonkers, NY 10701 (914) 476-9000

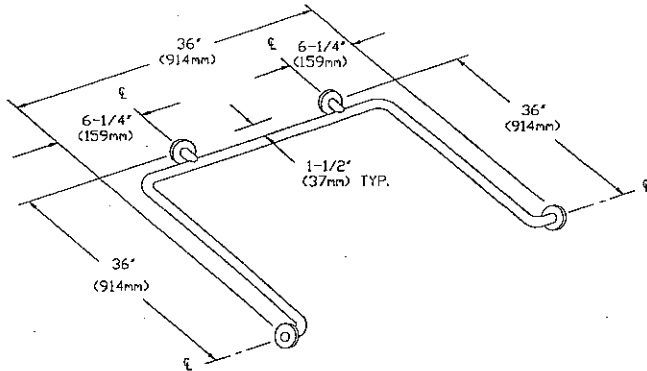
PAGE: 3 of 8

ISSUED:

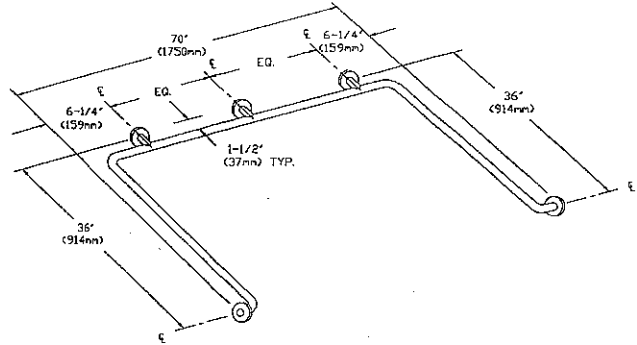
REVISED: 9-96

GRAB BAR CONFIGURATIONS

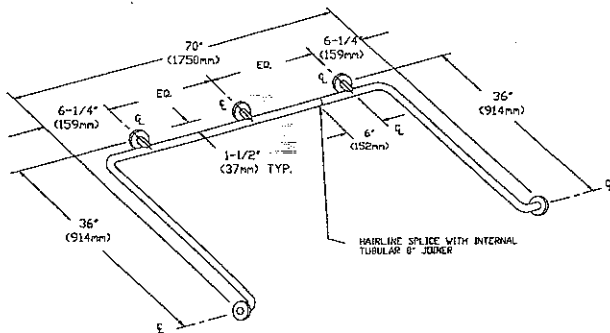
Type 11-1



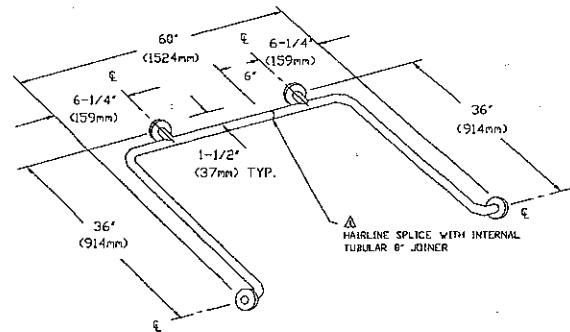
Type 11-2



Type 11-3



Type 11-4



NOTE

1. IF WIDTH IS LARGER THAN 66" AND FEEDING IS REQ'D, THEN SPLICE IS REQ'D
2. SEE DETAIL "Y" FOR DETAIL OF SPLICE CONSTRUCTION

NOTE

1. IF WIDTH IS LARGER THAN 54" AND FEEDING IS REQ'D, THEN SPLICE IS REQUIRED.
2. SEE DETAIL "Y" FOR DETAIL OF SPLICE CONSTRUCTION.



AMERICANSPECIALTIES, INC.
 441 Saw Mill River Road, Yonkers, NY 10701 (914) 476-9000

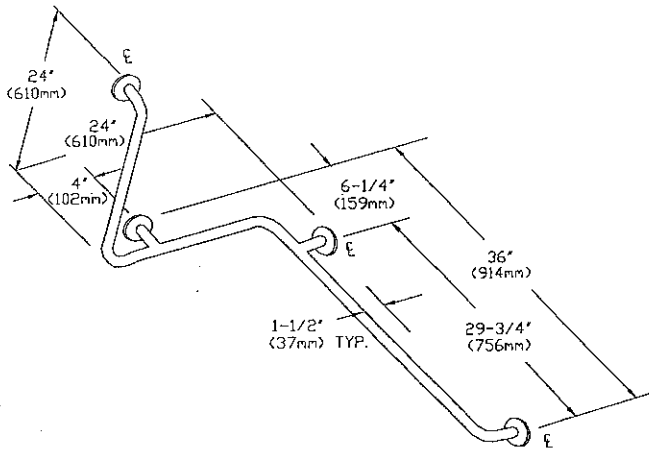
PAGE: 4 of 8

ISSUED:

REVISED: 9-96

GRAB BAR CONFIGURATIONS

Type 12

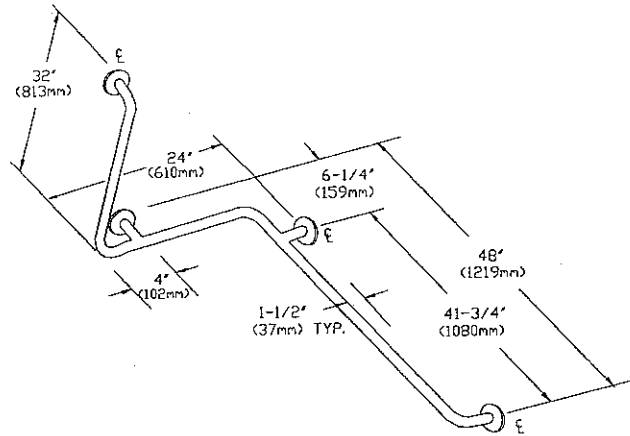


HAND	QTY. REQ'D.
L.H.	
R.H.	

LEFT HAND SHOWN
 RIGHT HAND OPPOSITE

MODEL NO MUST SPECIFY -LH OR -RH

Type 17

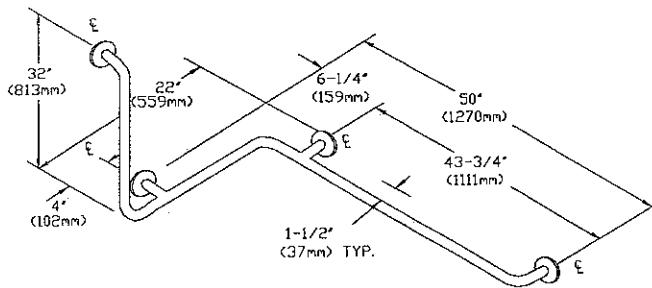


HAND	QTY. REQ'D.
L.H.	
R.H.	

LEFT HAND SHOWN
 RIGHT HAND OPPOSITE

MODEL NO MUST SPECIFY -LH OR -RH

Type 73

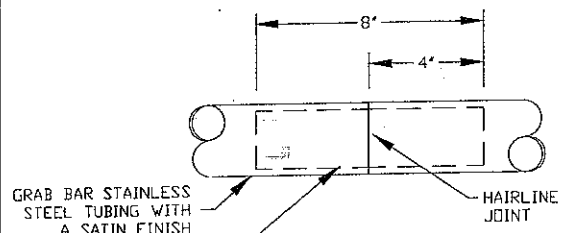


HAND	QTY. REQ'D.
L.H.	
R.H.	

LEFT HAND SHOWN
 RIGHT HAND OPPOSITE

MODEL NO MUST SPECIFY -LH OR -RH

Detail "Y"



SPLICE PLUG TUBING 8" LONG
 INSERTED INTO BOTH ENDS OF A CUT BAR.
 BAR IS PRESSED TOGETHER TO CLOSE SEAM
 WHEN BAR IS INSTALLED ON WALL, JOINT
 IS STRONGER THAN ORIGINAL TUBING DUE
 TO DOUBLE WALL THICKNESSES.

FOR USE IN SPLICE/SPLIT GRAB BARS



AMERICANSPECIALTIES, INC.
441 Saw Mill River Road, Yonkers, NY 10701 (914) 476-9000

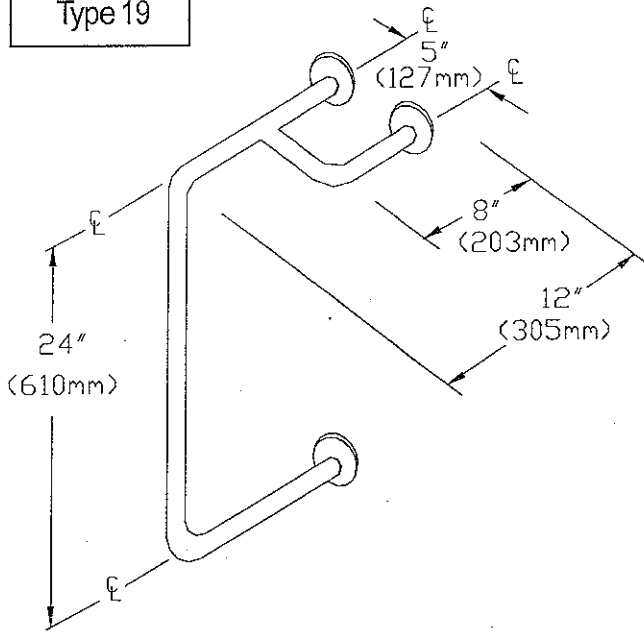
PAGE: 5 of 8

ISSUED:

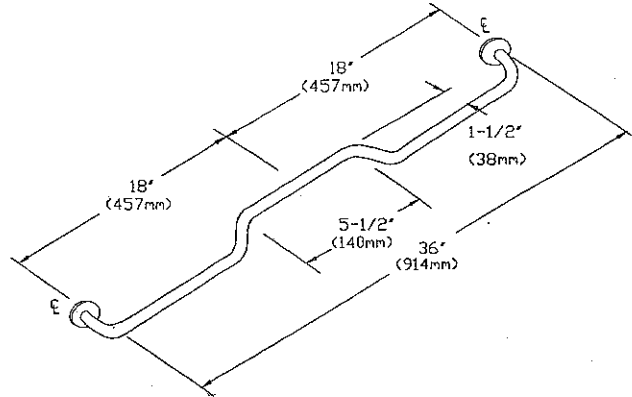
REVISED: 9-96

GRAB BAR CONFIGURATIONS

Type 19



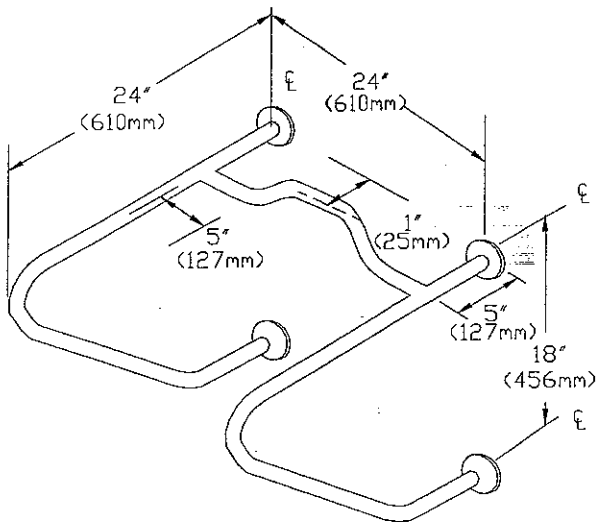
Type 70



HAND	QTY. REQ'D.
L.H.	
R.H.	

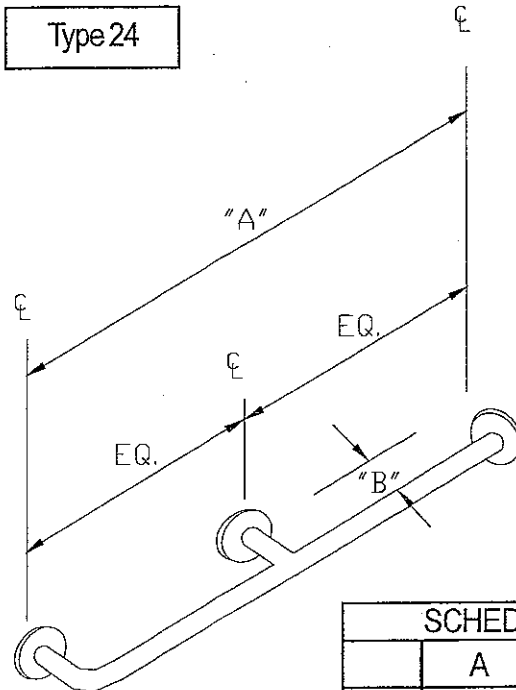
RIGHT HAND SHOWN
LEFT HAND OPPOSITE

Type 34



FOR BEDPAN FLUSH VALVE USE

Type 24



SCHEDULE		
	A	B
1	48" 1219mm	1-1/2" 38mm
2	52" 1321mm	1-1/2" 38mm
3	54" 1372mm	1-1/2" 38mm



AMERICANSPECIALTIES, INC.

441 Saw Mill River Road, Yonkers, NY 10701 (914) 476-9000

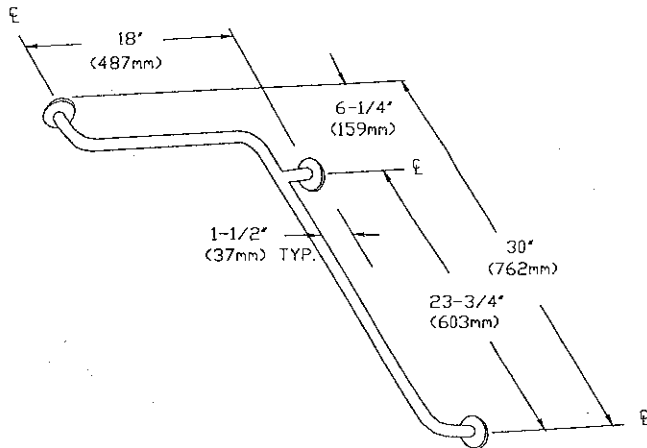
PAGE: 6 of 8

ISSUED:

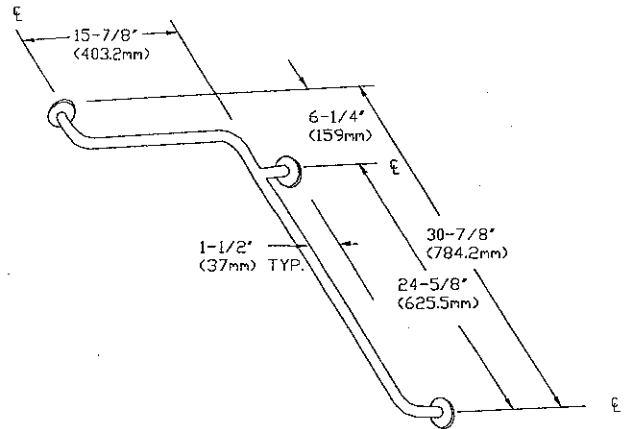
REVISED: 9-96

GRAB BAR CONFIGURATIONS

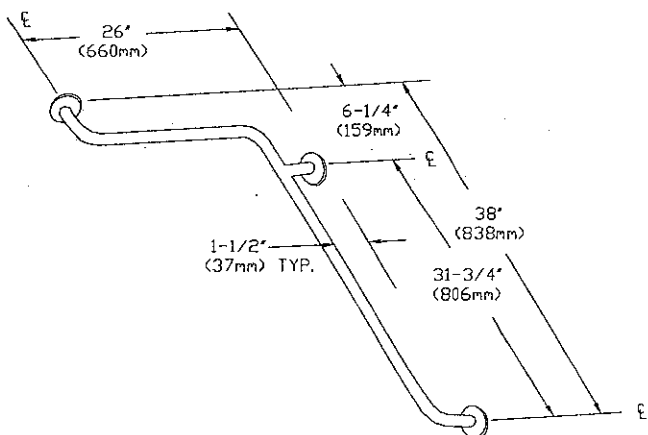
Type 60



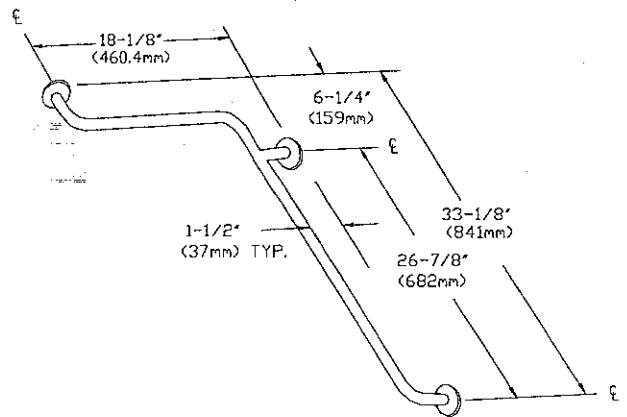
Type 71



Type 72



Type 74





AMERICANSPECIALTIES, INC.

441 Saw Mill River Road, Yonkers, NY 10701 (914) 476-9000

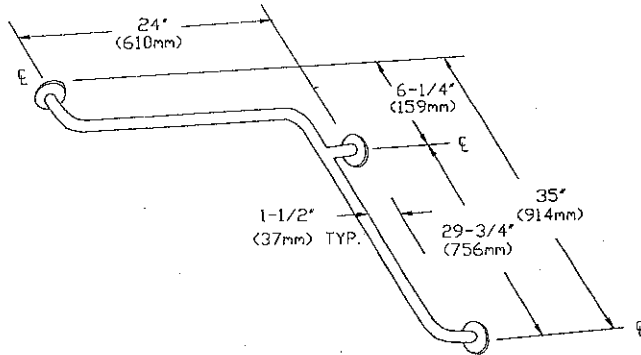
PAGE: 7 of 8

ISSUED:

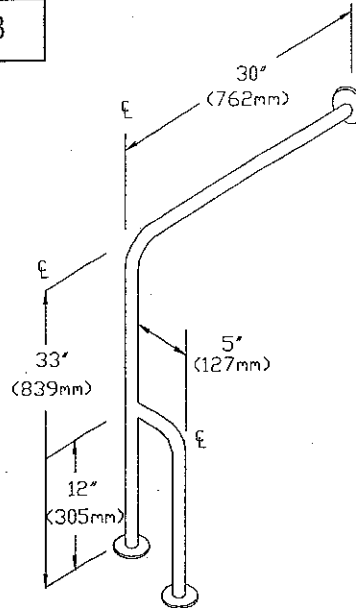
REVISED: 9-96

GRAB BAR CONFIGURATIONS

Type 50



Type 33

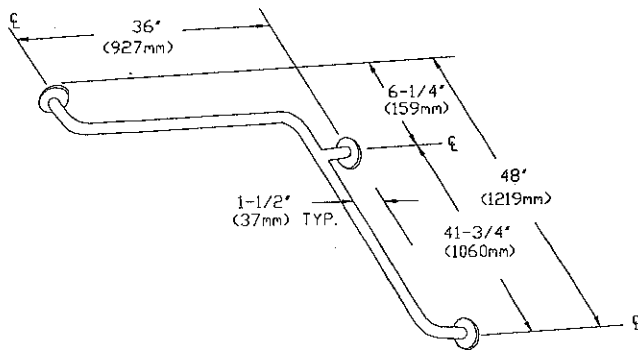


RIGHT HAND SHOWN
LEFT HAND OPPOSITE

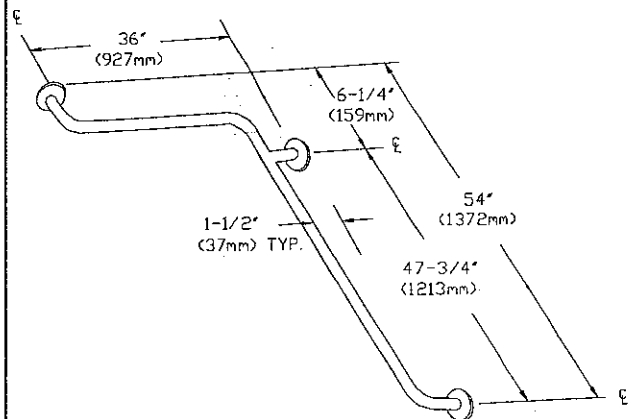
HAND	QTY. REQ'D.
L.H.	
R.H.	

MODEL NO MUST SPECIFY -LH OR -RH

Type 52



Type 56





AMERICANSPECIALTIES, INC.
441 Saw Mill River Road, Yonkers, NY 10701 (914) 476-9000

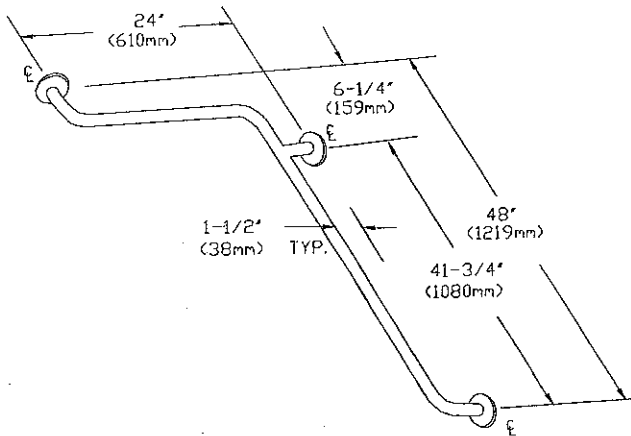
PAGE: 8 of 8

ISSUED:

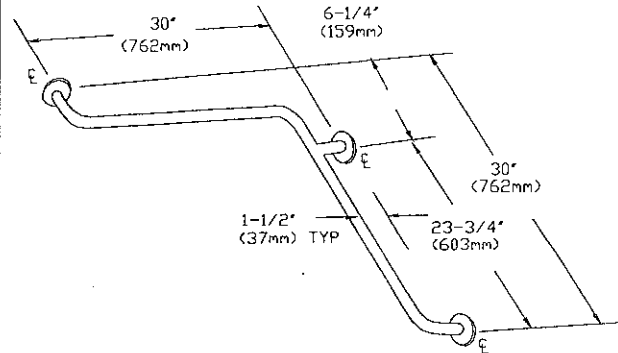
REVISED: 9-96

GRAB BAR CONFIGURATIONS

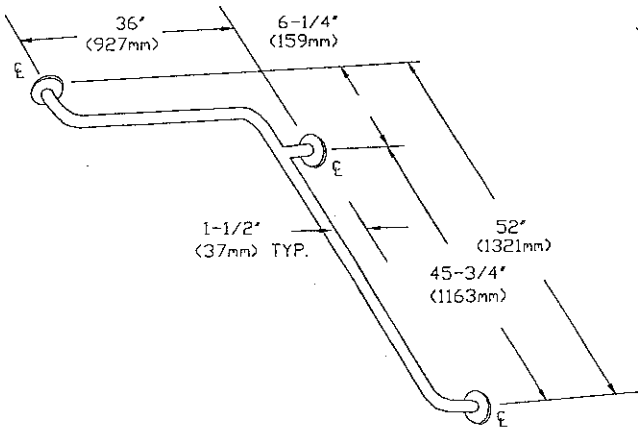
Type 16



Type 28



Type 40



Type 42

