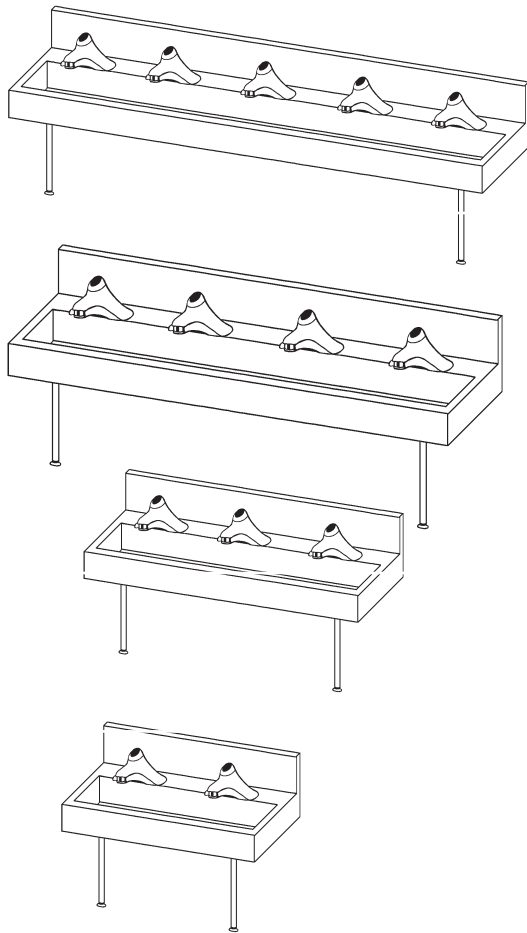


Installation

6951 Multi-Station Wall Sink

- S96-051 (6951A-5) 5 station
- S96-106 (6951B-5) 5 station
- S96-080 (6951A-4) 4 station
- S96-107 (6951B-4) 4 station
- S96-083 (6951A-3) 3 station
- S96-108 (6951B-3) 3 station
- S96-085 (6951A-2) 2 station
- S96-109 (6951B-2) 2 station



Faucets by Others

Table of Contents

| | |
|--|-----|
| Safety Information | 2 |
| Supplies Required for Installation | 3 |
| Wall Sink Components | 3 |
| 2- & 3-Station Wall Sink Rough-Ins | 4 |
| 4- & 5-Station Wall Sink Rough-Ins | 5 |
| Installation Instructions | 6-7 |
| Cleaning Stainless Steel | 7 |



Read the instructions in this manual before beginning installation. Save these instructions and refer to them for inspection, maintenance and troubleshooting information.

For questions regarding the operation, installation or maintenance of this product, visit bradleycorp.com or call 800.BRADLEY (800.272.3539).

Product warranties and parts information may also be found under "Products" on our website at bradleycorp.com.

Separate parts from packaging and make sure all parts are accounted for before discarding any packaging material. If any parts are missing, do not begin installation until you obtain the missing parts.



Safety Information

Installation

Compliance and conformity to local codes and ordinances is the responsibility of the installer.

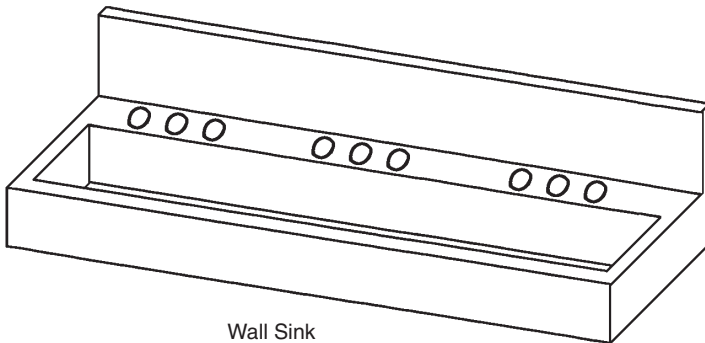
Product/Property Damage

Make sure that all water supply lines have been flushed and then completely turned off before beginning installation. Debris in the supply lines can cause valves to malfunction.

Supplies recommended for installation

- 1-1/4" anchors and bolts to secure sink to wall
- Wall reinforcement (if required)
- Trap and drain pipe to 1-1/2" O.D. tailpiece
- Supply pipe to faucets (if required)
- OPTIONAL: 1/4" anchors and bolts to secure footing to floor

Components

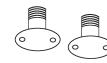


Wall Sink
3-Station (S39-374) shown above, others similar

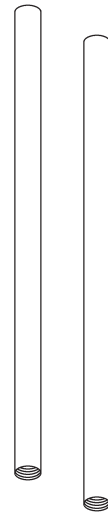
Wall sinks are 2, 3, 4 or 5 stations and can be manufactured with 4" centerset or single hole shank faucet mounting. All faucet mounting holes are 1-1/4" diameter.



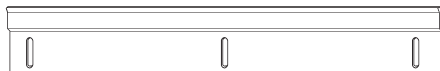
1/4"-20 x 3/8"
Socket-Head
Set Screw
(160-246)



Adjustable
Footing
(S36-020)



Leg (Pipe)
(113-744)



Support Bracket
(140-112)
2- and 3-Station (qty. 2)
4-Station (qty. 3)
5-Station (qty. 4)

Oval-Head
Screw
(160-042)



Strainer
(173-002)



Drain Spud
(112-028)



Washer
(142-063)



Locknut
(161-148)

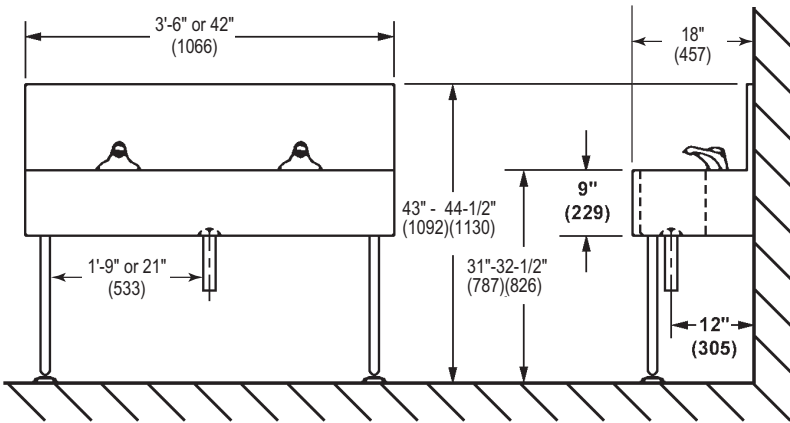
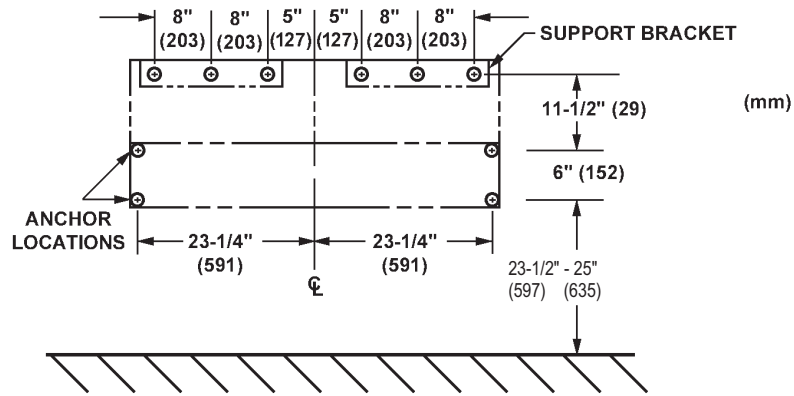


Tailpiece
(S29-083)

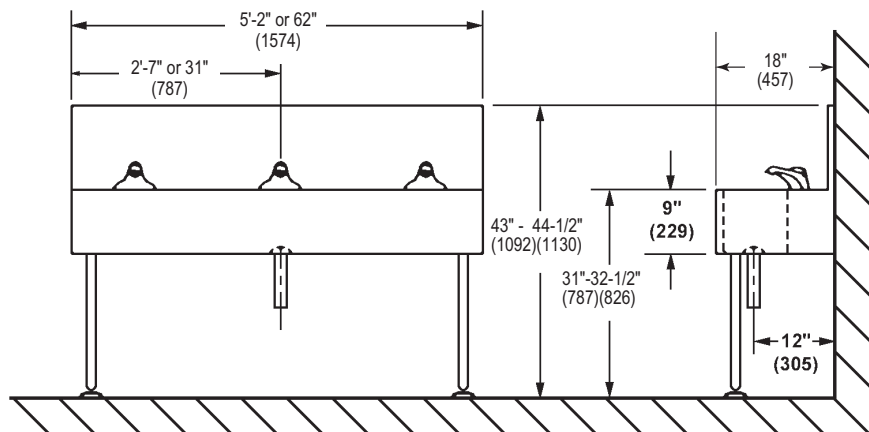
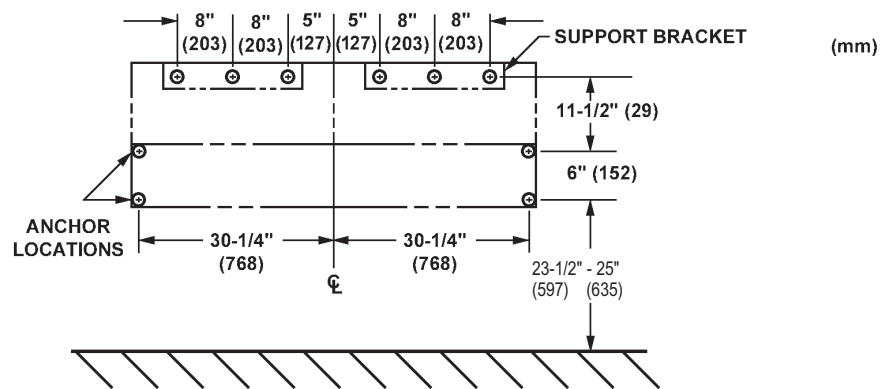


Dimensions

2-Station Wall Sink Dimensions

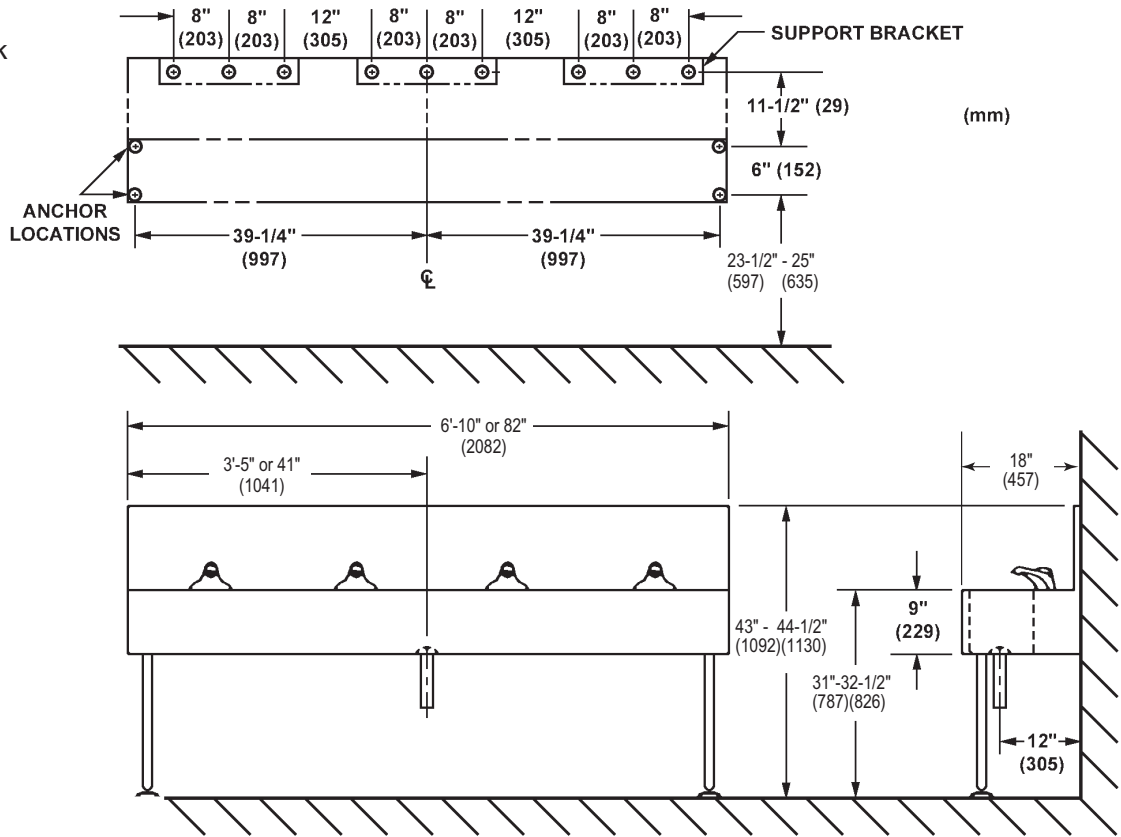


3-Station Wall Sink Dimensions

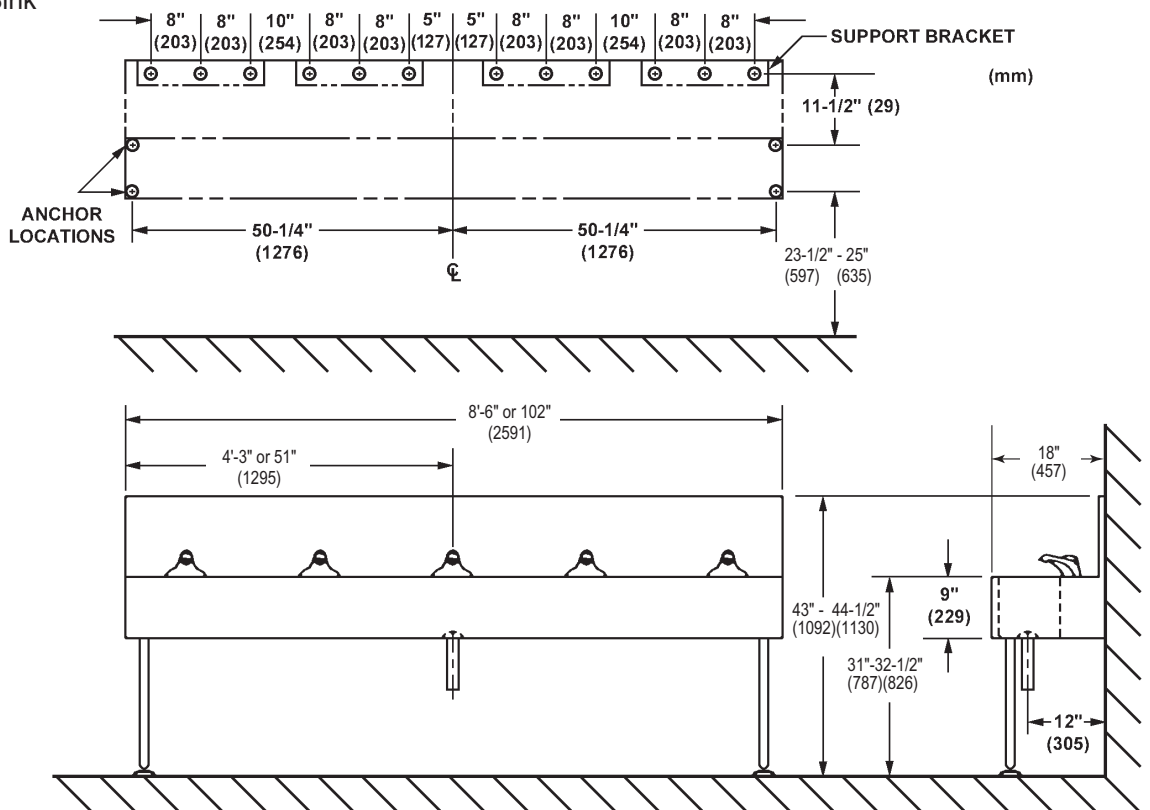


Dimensions

4-Station Wall Sink
Dimensions

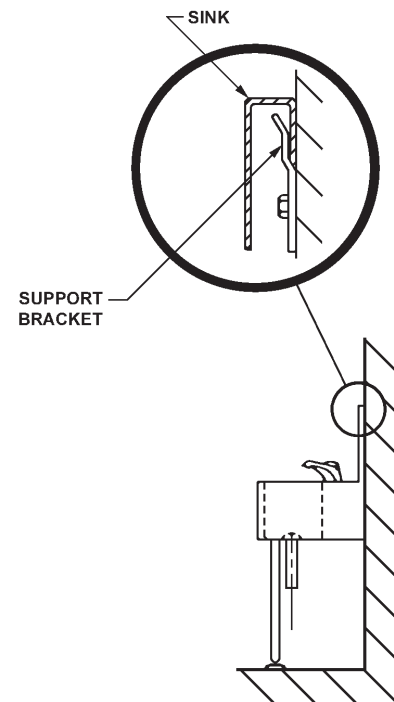


5-Station Wall Sink
Dimensions



1 Mount Sink to Wall

1. Install suitable wall anchors for 1/4" bolts at the dimensions shown in the rough-in drawings (anchors and bolts supplied by installer).
 - 2- and 3-station sinks require 10 wall anchors and bolts.
 - 4-station sink requires 13 wall anchors and bolts.
 - 5-station sink requires 16 wall anchors and bolts.
2. Use a carpenter's level to make sure all of the brackets are level with the floor and with each other before securing them to the wall. An improperly installed bracket could result in a sink that is not level.
3. Mount the support brackets to the wall anchors with 1/4" bolts (supplied by installer).
 - 2- and 3-station sinks require two brackets and six bolts.
 - 4-station sink requires three brackets and nine bolts.
 - 5-station sink requires four brackets and twelve bolts.
4. Hang the wall sink onto the support brackets.

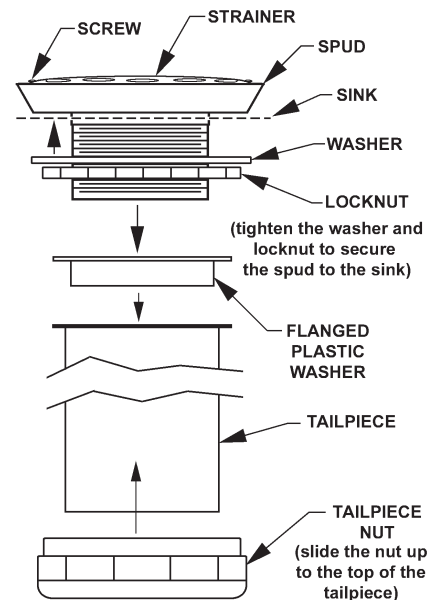


2 Assemble Drain



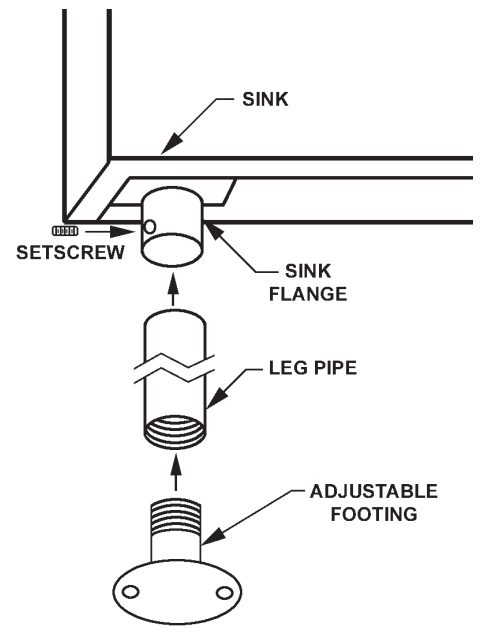
Make the connection to the pipe (supplied by the installer) AFTER the sink legs have been installed.

1. Use plumbers putty to caulk the drain spud.
2. Insert the drain spud into the hole in the wall sink and secure the spud to the sink with the washer and locknut provided as shown.
3. Attach the strainer to the drain spud and secure with the two screws provided.
4. Insert the flanged plastic washer into the top of the tailpiece. Slide the tailpiece nut up to the top of the tailpiece and screw the nut into the spud to secure the tailpiece to the sink.



3 Attach Legs and Footings

1. Screw the adjustable footings into the bottom of the legs.
2. Insert the legs into the sink flanges located at the underside of the sink. Secure the legs with the setscrews provided.
3. Adjust the foot pads on the bottom of the legs to level the unit and provide proper drainage.



4 Complete Installation

1. Secure the sink to the wall with four 1/4" bolts (supplied by installer) through the wall anchors installed in Procedure #1.
2. **OPTIONAL FAUCETS:** Make the proper supply connections to the faucets as outlined in the faucet manufacturer's installation manual.
3. Make the drain connection to the 1-1/2" O.D. tailpiece on the sink (pipe supplied by installer).

Cleaning and Maintenance Instructions for Stainless Steel

Material Description: Stainless steel is extremely durable, and maintenance is simple and inexpensive. Proper care, particularly under corrosive conditions, is essential. Always start with the simplest solution and work your way toward the more complicated.

Routine cleaning: Daily or as often as needed use a solution of warm water and soap, detergent, or ammonia. Apply the cleaning solution per the manufacturer's instructions and always use a soft cloth or sponge to avoid damaging the finish.

Stubborn Stains: To remove stains from stainless steel use a stainless steel cleaner and polish such as Ball® stainless steel cleaner or a soft abrasive. Always follow the manufacturer's instructions and apply in the same direction as the polish lines.

NOTICE! *Never use ordinary steel wool or steel brushes on stainless steel. Always use stainless steel wool or stainless steel brushes.*