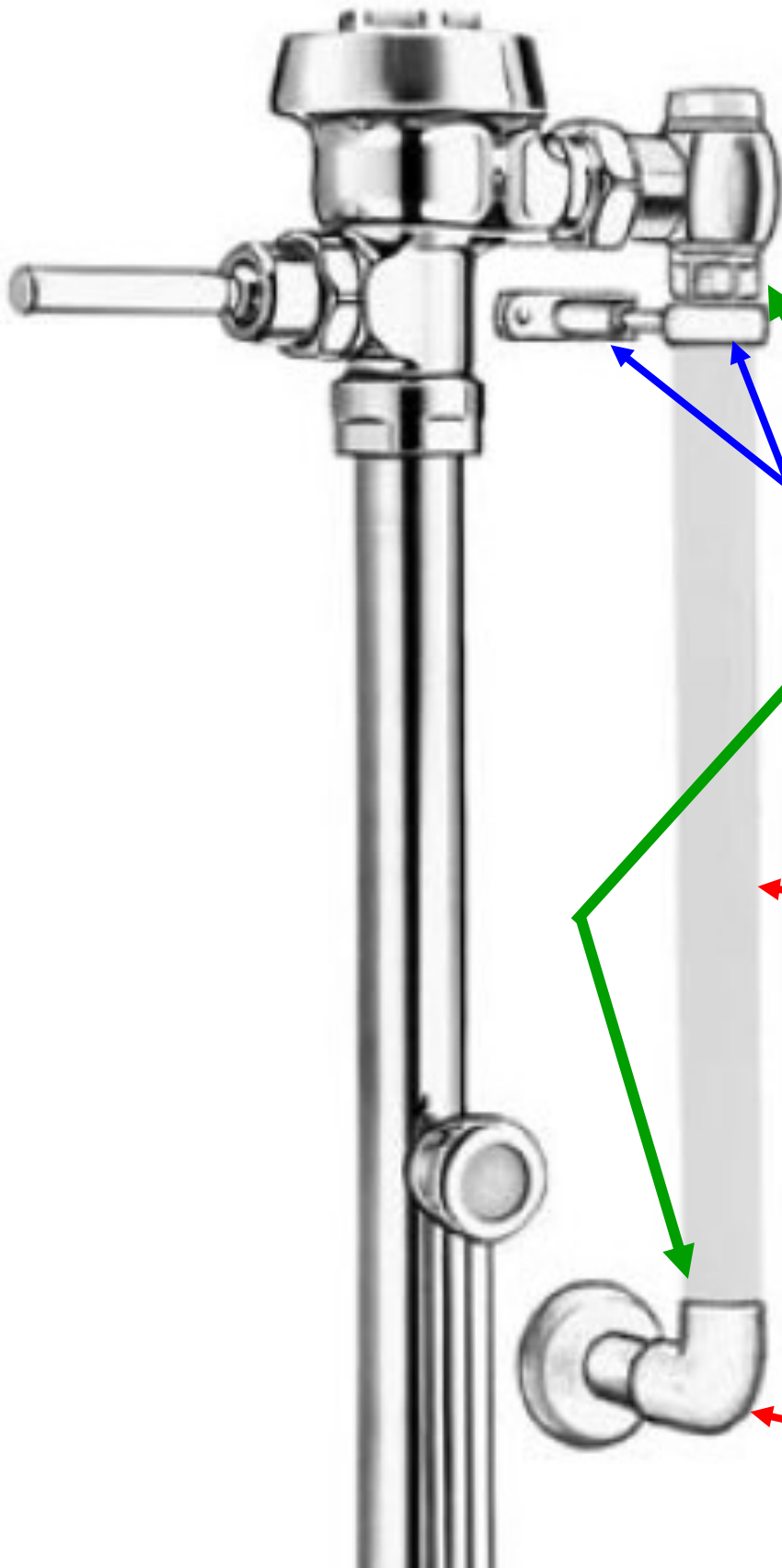


Elevating (or lowering) supply stop



1" pipe support fits around sweat adapter between stop and casing tube

J212A 1" pipe support
Solid ring (0310097)

J312AV 1" pipe support
Split ring (0310095)

H532 1" sweat adapter
for 1" copper pipe
(3308603)

H534 CP 1-3/8 casing tube
for 1" copper pipe

H534 6" Long (0308606pk)

H534 22-1/4" Long (0308593pk)

H534 36" Long (0308587pk)

F44 CP 1 x 1 FNPT elbow
(0396014)