

CODE NUMBER

3346182

DESCRIPTION

Graphite Finish, Optima® Deck-Mounted Foam Soap Dispenser.

DETAILS

- Finish: Graphite (GR)
- Power Type: Hardwired
- Height: 4" (102mm)
- Width: 1 7/16" (44mm)
- Depth: 4 1/2" (114mm)
- Sensor Type: IR

FEATURES

Sensor Activated, Electronic, Graphite PVD Plated Die Cast Body, Hand Washing Foam Soap Dispenser with the following features:

1. Modular One-piece Construction easily attaches to deck surface
2. Low Soap Level Indicator
3. One tool service
4. All electronics sealed
5. Double infrared sensors with automatic setting feature
6. Soap sold separately

ELECTRICAL SPECIFICATIONS

- AC Power Plug-In Only: Yes
- Sensor Range: 4" - 5" (102 - 127mm)
- Self-Adjustment Range: 1" - 6" (25 - 152mm)

SOAP REFILLS

- SJS-1751 (1000mL)
- SJS-1751-3 (1000mL)
- SJS-1751-4 (1000mL)

VIDEOS

-  PVD Special Finishes

**RECOMMENDED SPECIFICATION**

Sloan Optima Foam Soap Dispenser model number ESD-400. Graphite finish.

DOWNLOADS

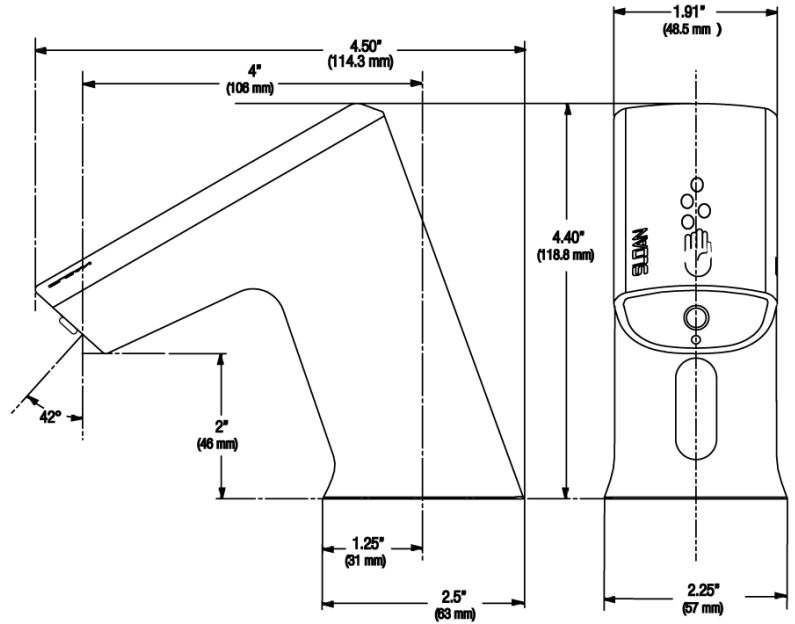
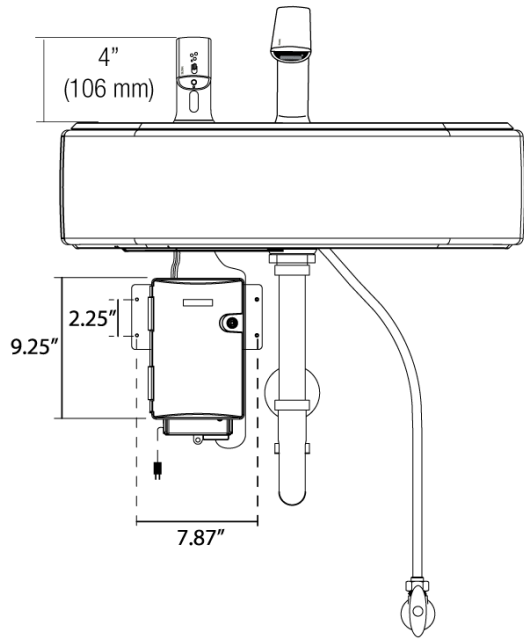
- [ESD-400 Installation Instructions](#)
- [Additional Downloads](#)

NOTES

All information contained within this document subject to change without notice.

ROUGH-IN

NOTE: Faucet shown
as reference



MATCHING FAUCETS

This soap dispenser is compatible with [BASYS[®] faucets](#).